

MAVERICK SPOT LIGHT

TECHNICAL SHEET

KL-SP00020

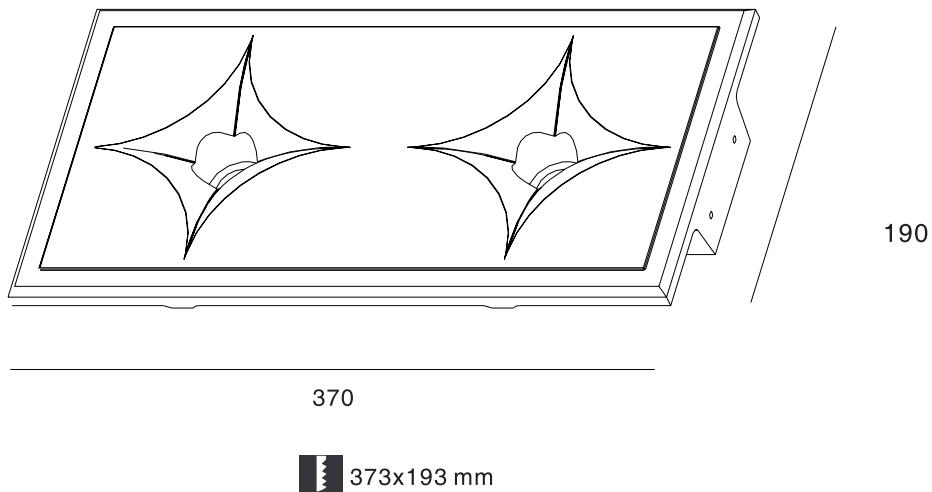


KEYLIGHT

SPAIN

PRODUCTOS DE ILUMINACION

DRAWING



SPECIFICATIONS

Product Code	KL-SP00020
Power	GU10/MR16
Input	220-240V
Material	Gypsum
Dimensions	370mm*190mm
Cut-out	373mm*193mm

